

Saguaro Moulding

QUALITY WOOD MOULDING

321 South 54th Place, Phoenix, AZ 85034-2142

Phone: 602-275-5476 Fax: 602-275-3492

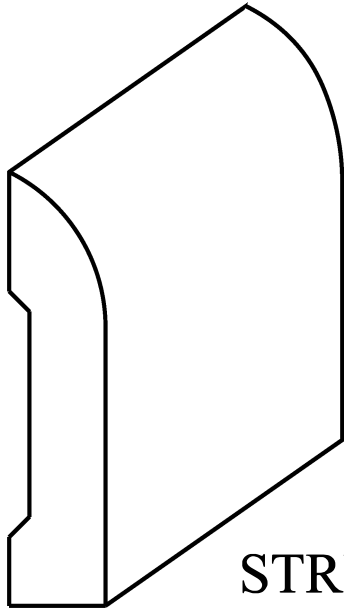
**STOCK MOULDINGS
(Poplar, Oak, Alder & Maple)**

SUBJECT TO CHANGE WITHOUT NOTICE

www.saguaromoulding.com

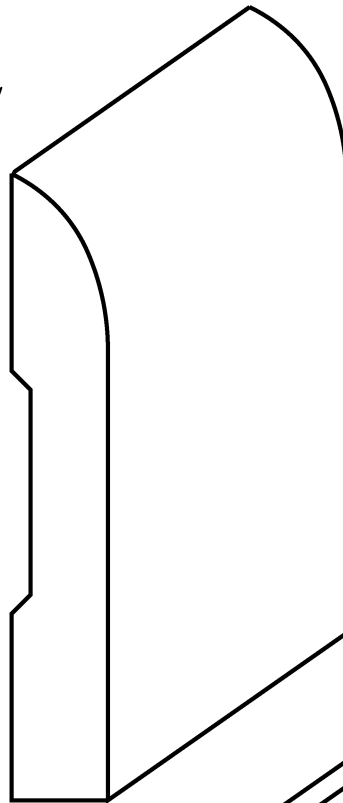


BASE

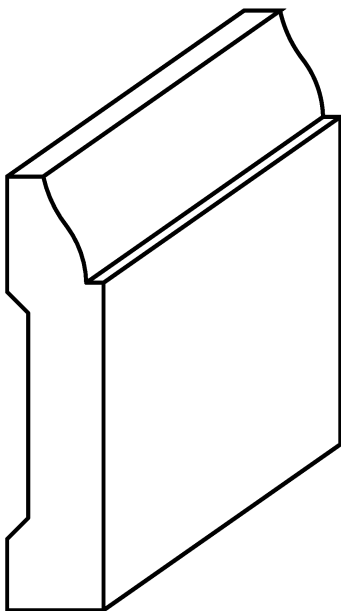


STREAMLINE

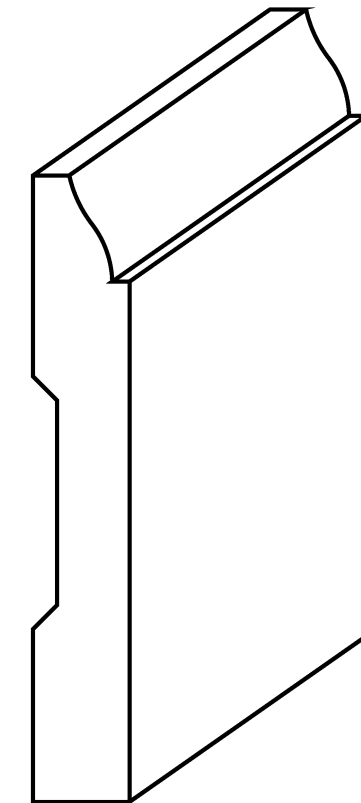
1/2 x 2-1/4
(P),(O)



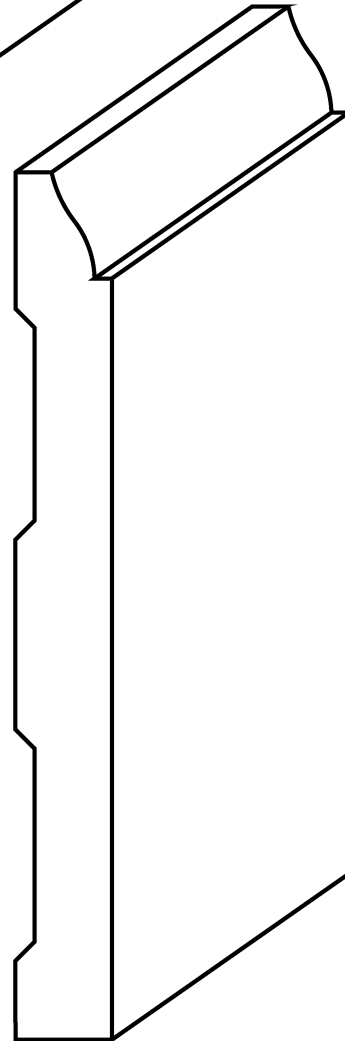
1/2 x 3-1/4
(P),(O)



1/2 x 2-1/4
(P),(O)

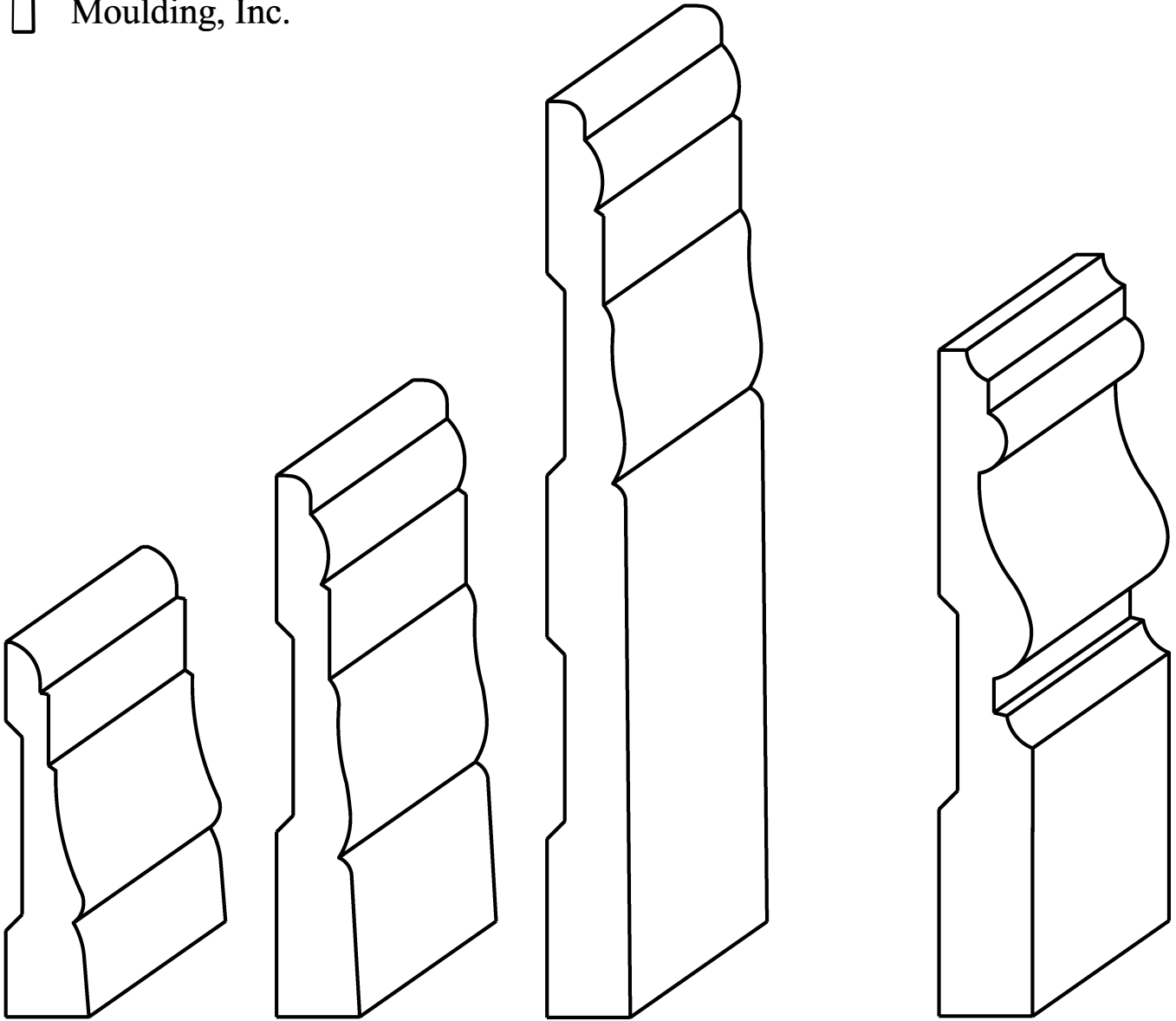


COLONIAL
1/2 x 3-1/4
(P),(O),(A),(M)



1/2 x 4-1/2
(P),(O),(A)

BASE



O.J. (SPANISH)

$1/2 \times 2-1/4$
 (P),(O)

$1/2 \times 3-1/4$
 (P),(O),(A),(M)

$1/2 \times 5-1/2$
 (P),(A)

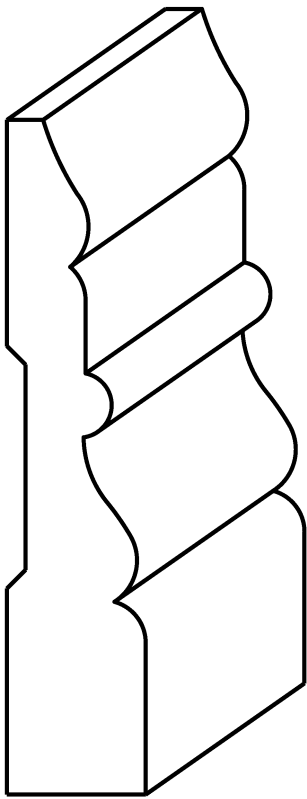
TUSCAN

$9/16 \times 4$
 (P),(A)

3/4" RADIUS CORNERS AVAILABLE

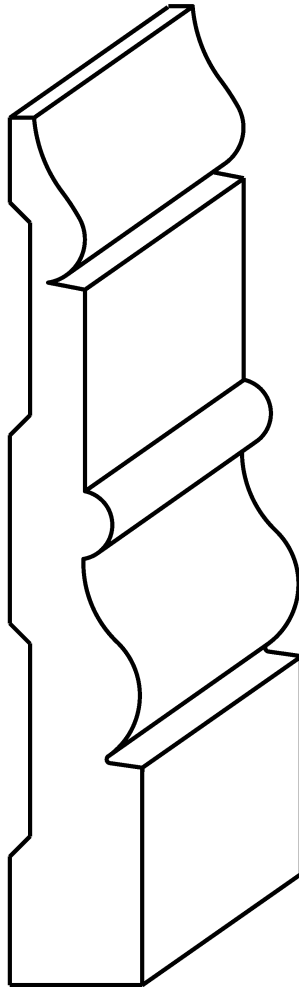
(P)oplar, (O)ak, (A)lder, (M)aple

BASE

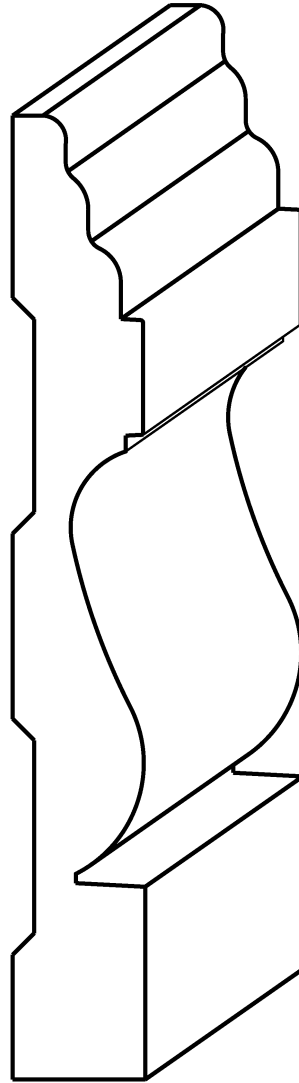


VICTORIAN

11/16 X 3-1/2
 (P),(O),(A),(M)

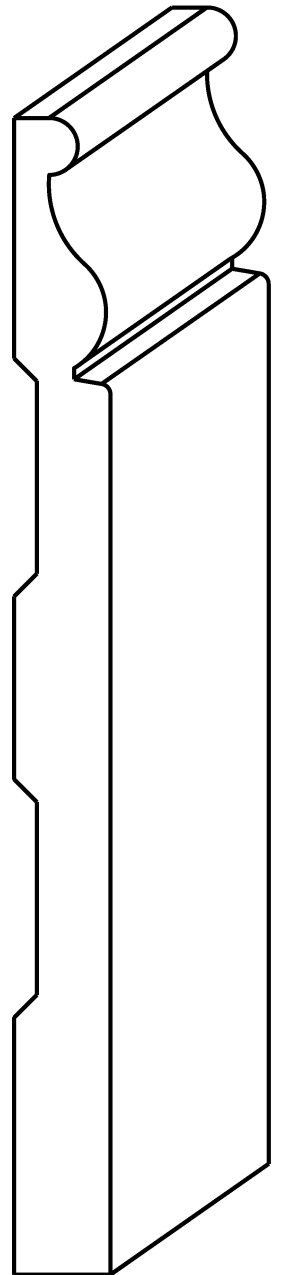


11/16 X 4-1/2
 (P),(O),(A)



CUSTOM

11/16 X 5
 (P),(O),(A)



1383

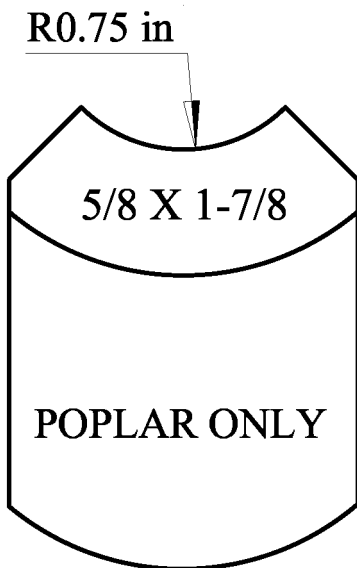
1/2 X 6
 (P),(A)

3/4" RADIUS CORNERS AVAILABLE

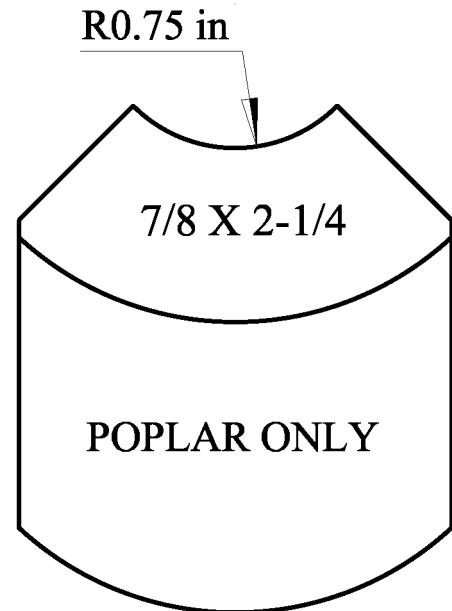
RADIUS CORNER BASE BLOCKS

NOTE:

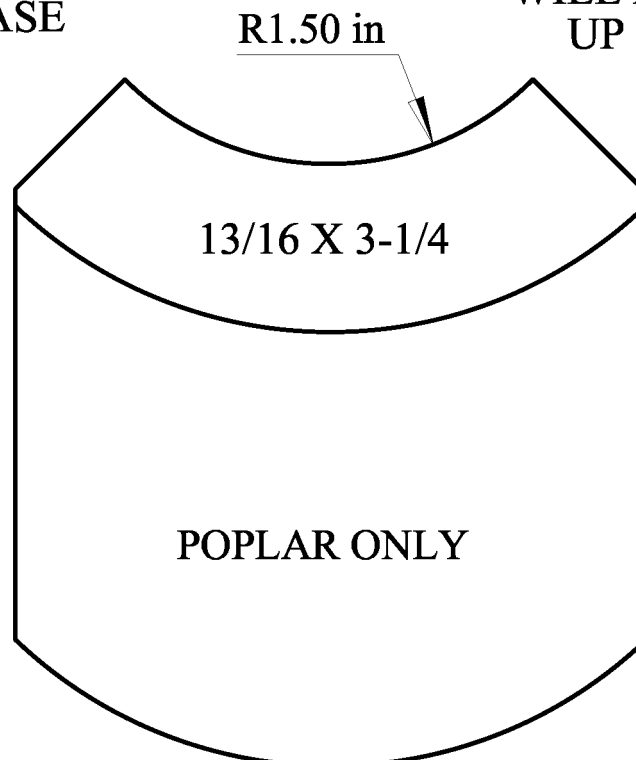
SOLD BY THE LINEAL FOOT-
YOU CUT TO LENGTH AND SHAPE THE TOP



WILL ACCOMODATE
UP TO 1/2" BASE

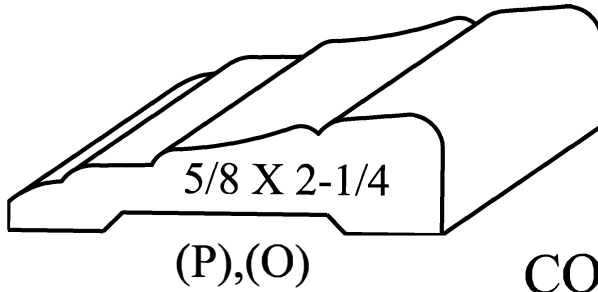


WILL ACCOMODATE
UP TO 3/4" BASE

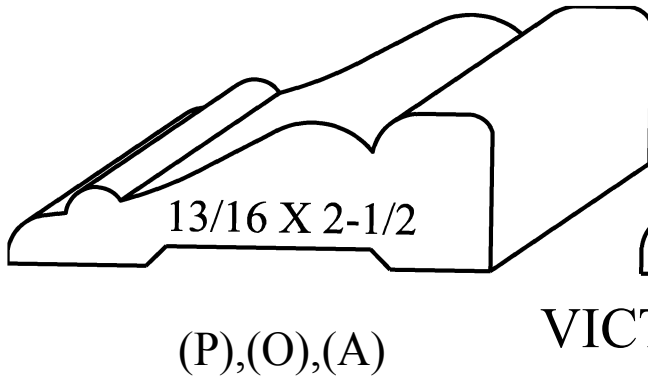
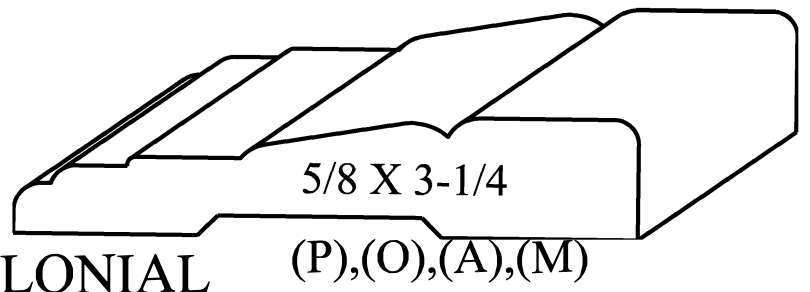


WILL ACCOMODATE
UP TO 3/4" BASE

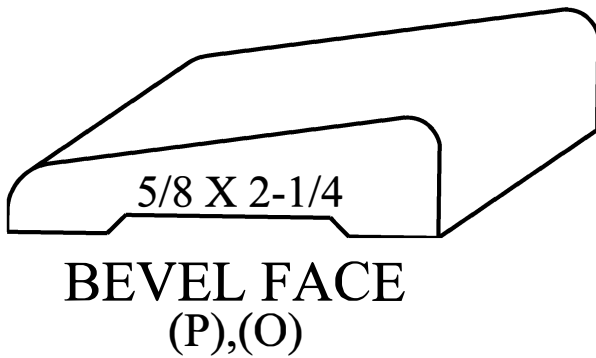
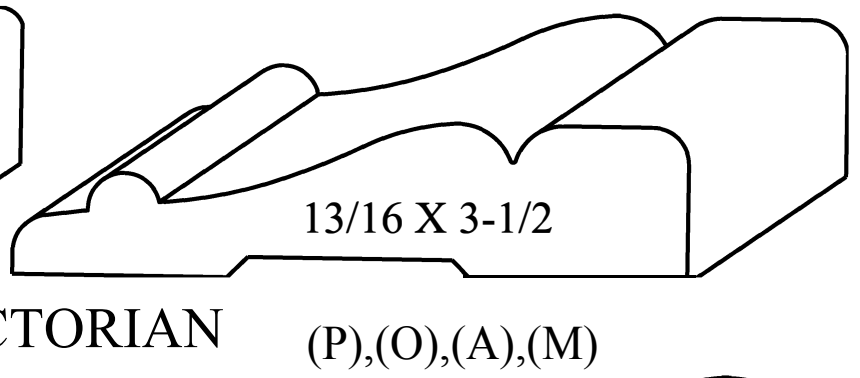
CASING



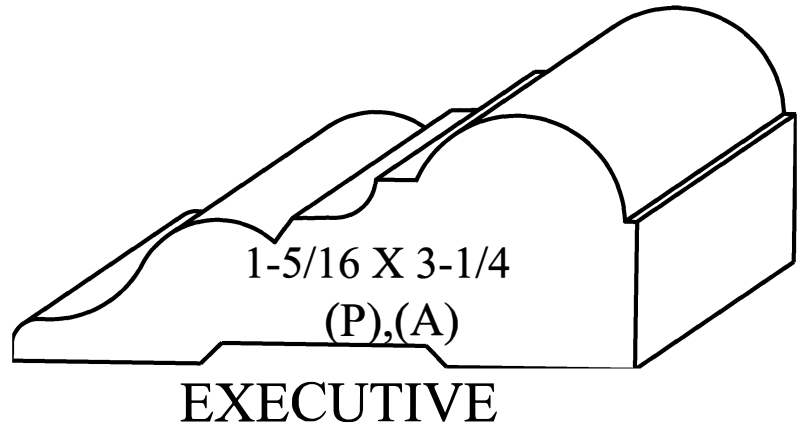
COLONIAL



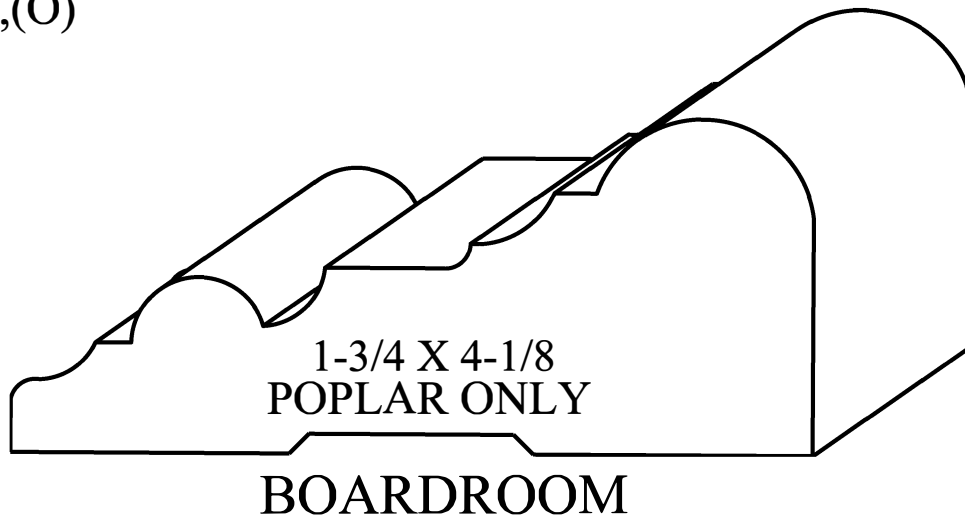
VICTORIAN



BEVEL FACE
(P),(O)

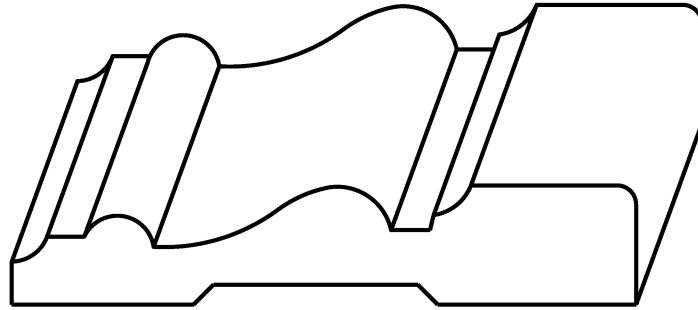


EXECUTIVE



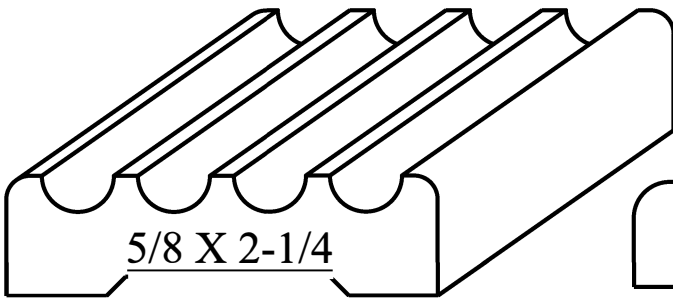
BOARDROOM

TUSCAN CASING



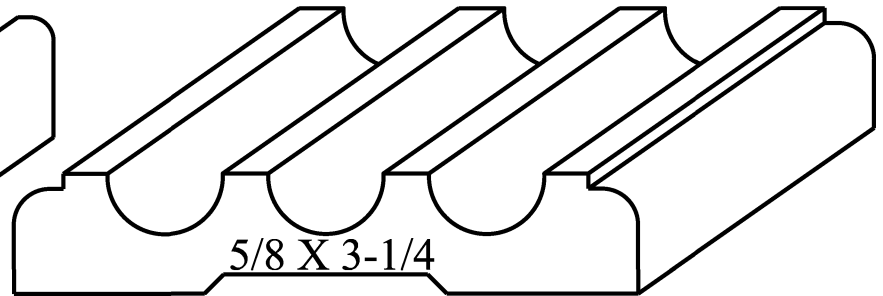
5/8 X 3-1/4
(P),(A)

FLUTED CASING



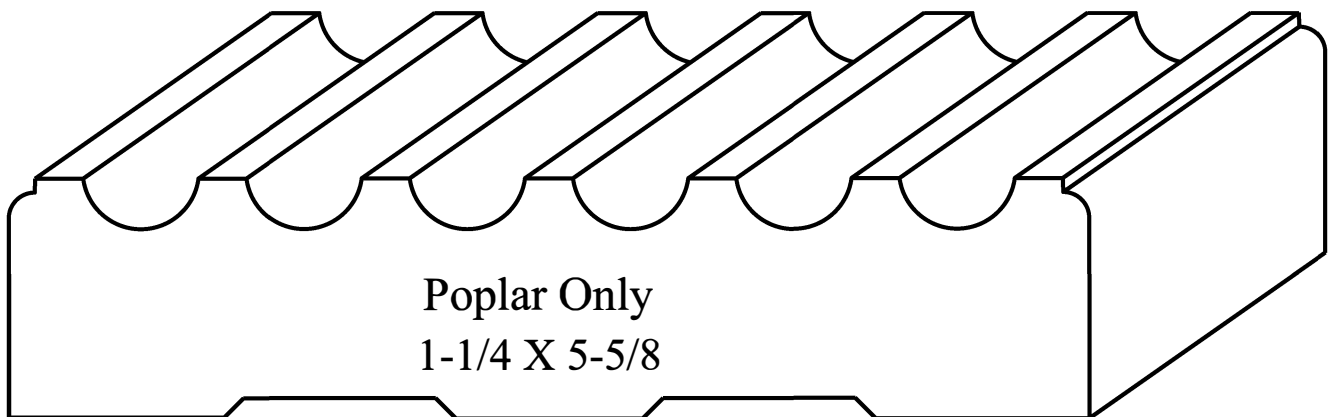
5/8 X 2-1/4

Poplar Only



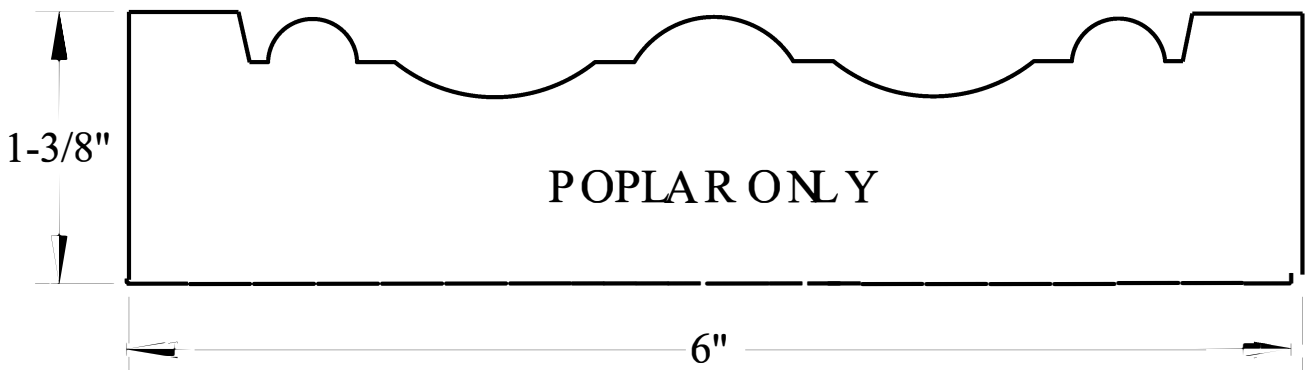
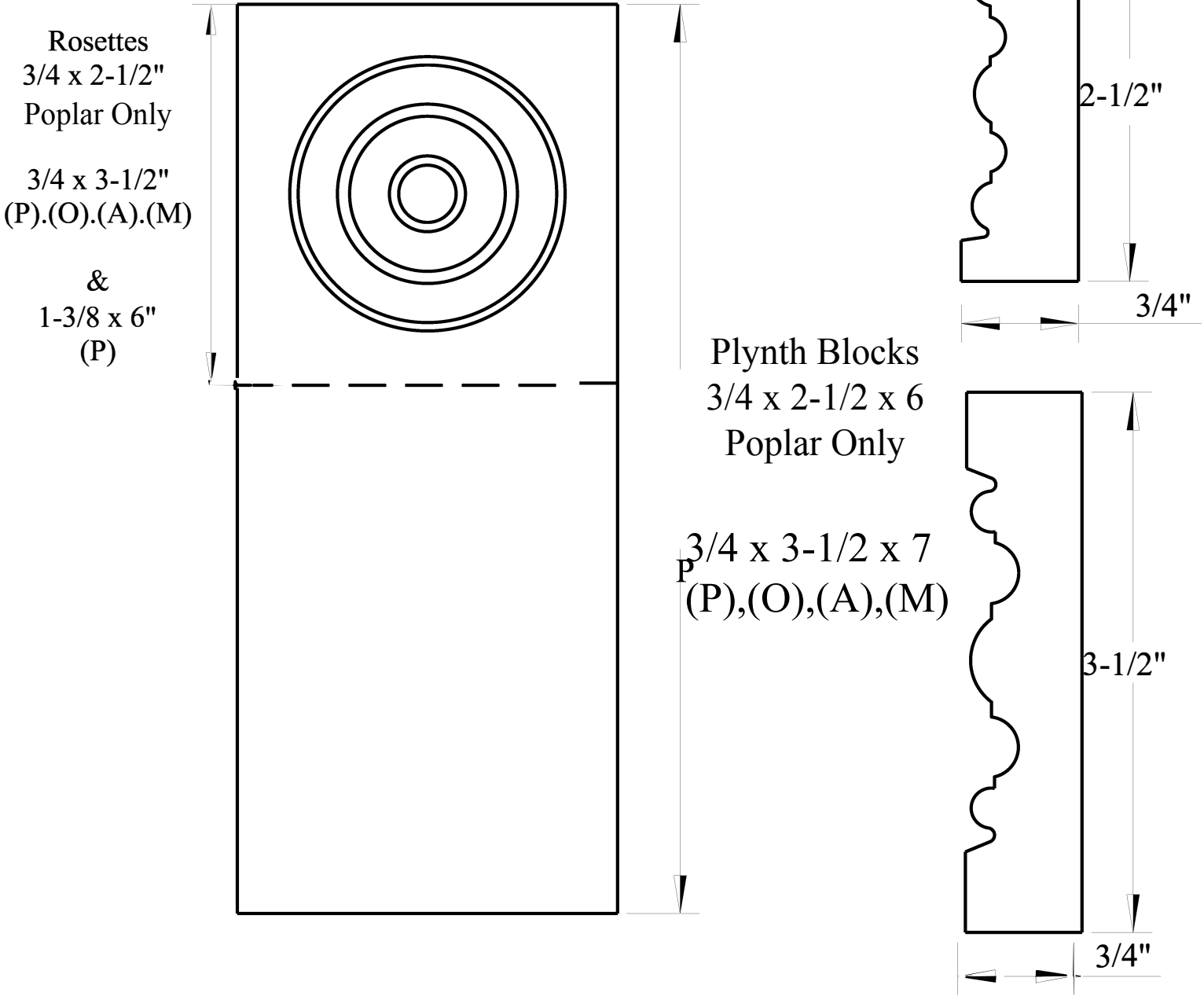
5/8 X 3-1/4

(P),(O),(A),(M)

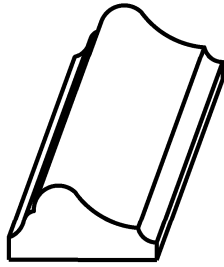


Poplar Only
1-1/4 X 5-5/8

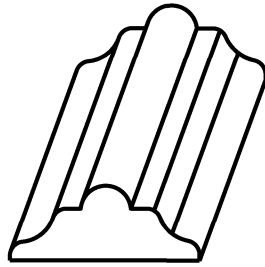
Rosettes/Plynyths



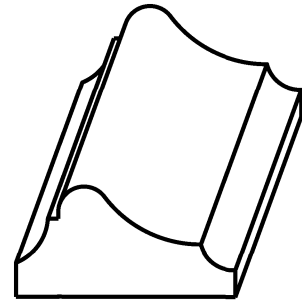
CABINET DOOR TRIM



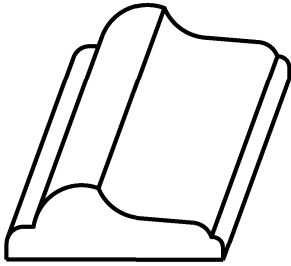
1303
3/8 X 3/4
(P),(O),(A)



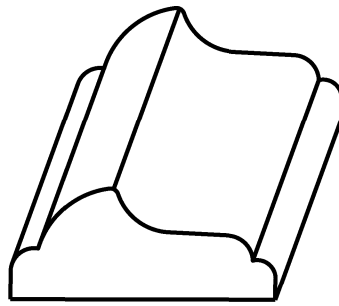
1305
3/8 X 1
(P),(O),(A)



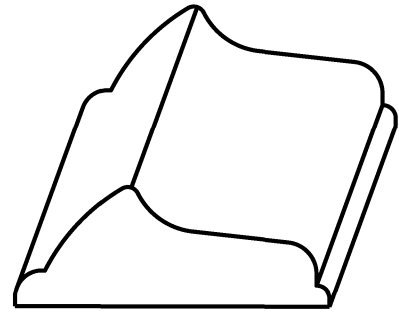
1311
9/16 X 1-1/8
(P),(O),(A)



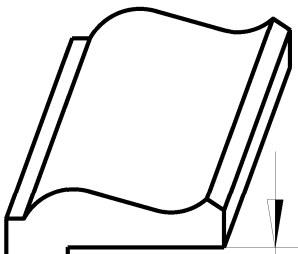
3/8 X 1-1/8
POPLAR ONLY



9/16 X 1-3/8
POPLAR ONLY

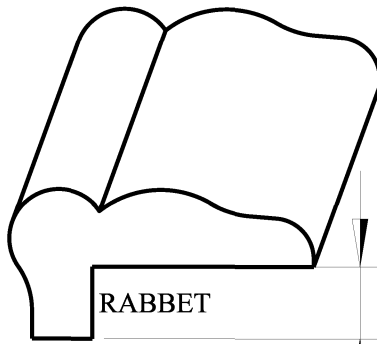


5/8 X 1-5/8
POPLAR ONLY



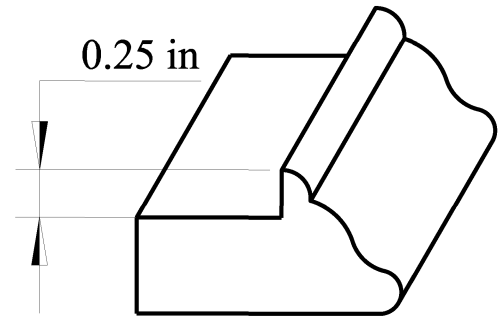
RABBET
9/16 X 1-1/8
POPLAR ONLY

0.25 in



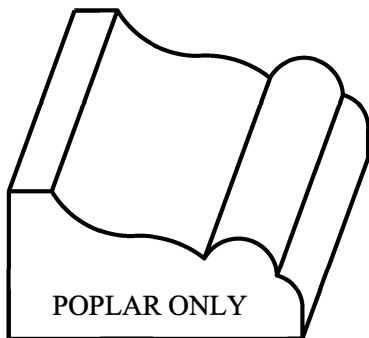
RABBET
3/4 X 1-9/16
POPLAR ONLY

0.38 in

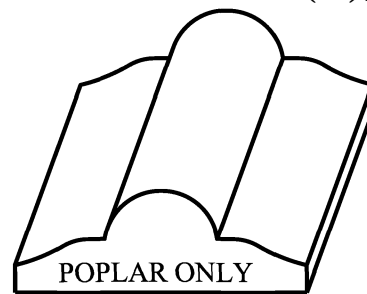


0.25 in

LIGHT RAIL
3/4 X 1-3/8
(A),(M), (P)

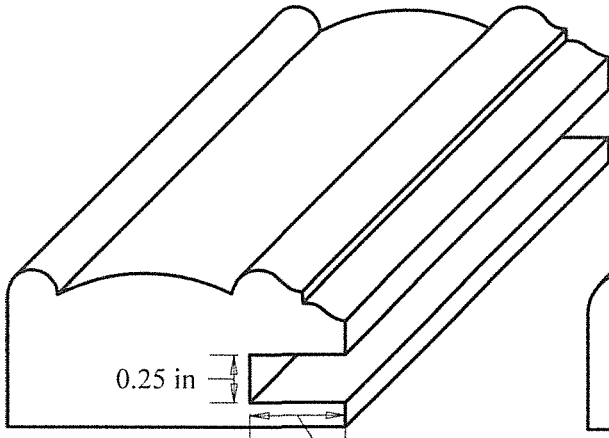


POPLAR ONLY
BEADED O.G.
3/4 X 1-1/2

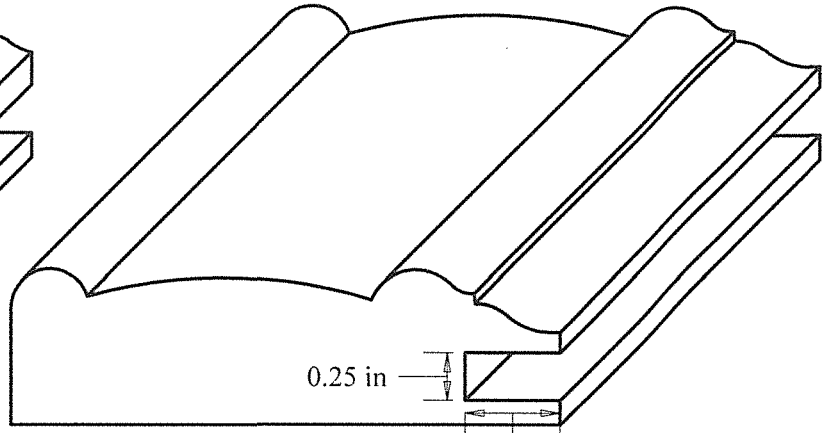


POPLAR ONLY
FLAT ASTRAGAL
1/2 X 1-1/2

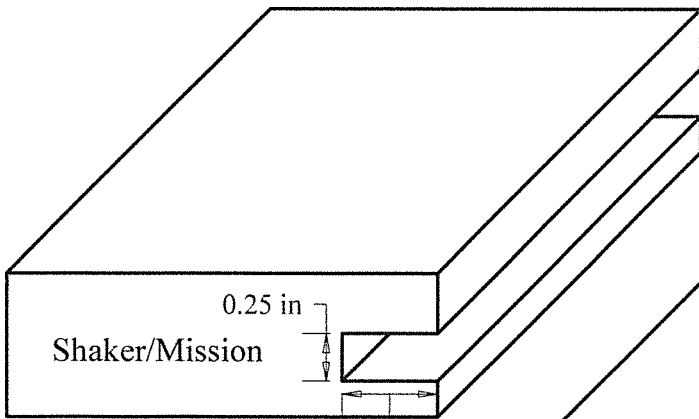
CABINET DOOR FRAME



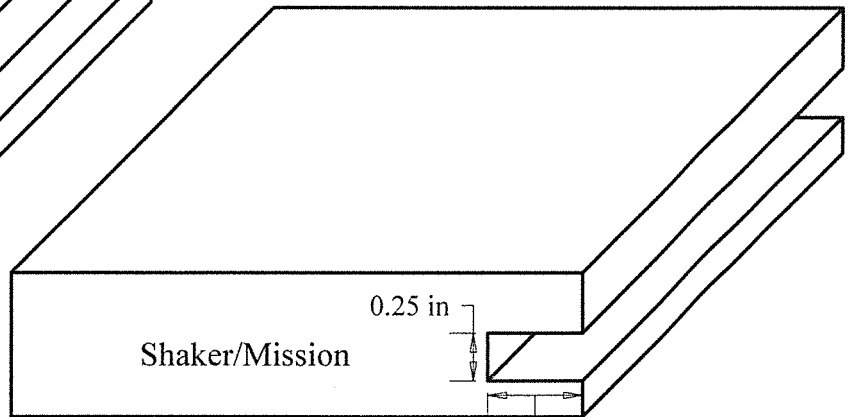
CDF 80
13/16 X 1-3/4
(A), (M), (P)



CDF 81
13/16 X 2-7/8
(A), (M), (P)

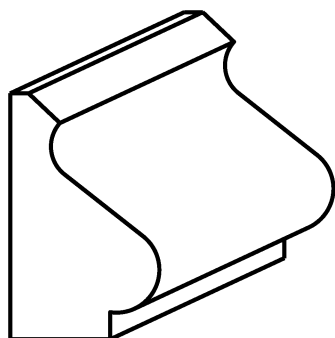


CDF 82
3/4 X 2-1/4
(A),(P)

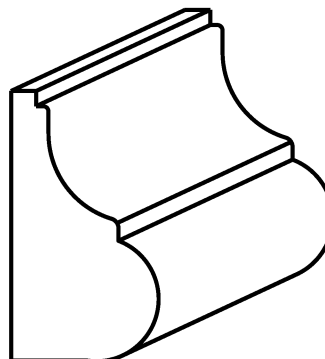


CDF 83
3/4 X 3
(A),(P)

BASE CAPS

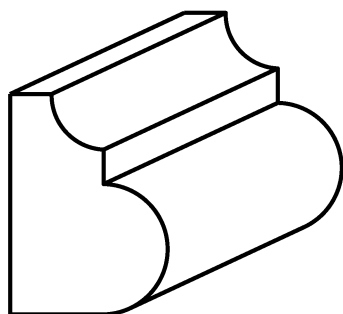


3/4 X 1-1/4
Poplar Only

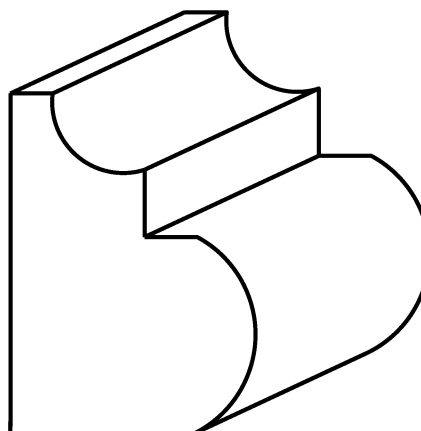


3/4 X 1-3/8
Poplar Only

LINEAL EDGE

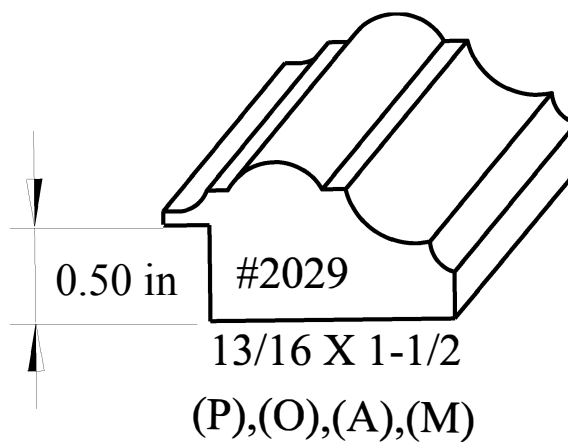
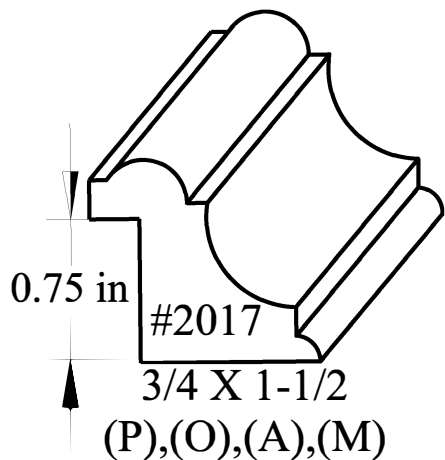


13/16 X 1-1/8
(P),(O),(A),(M)

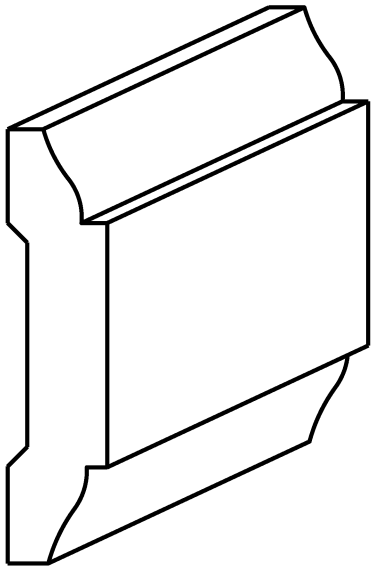


1-1/4 X 1-3/4
(P),(O),(A),(M)

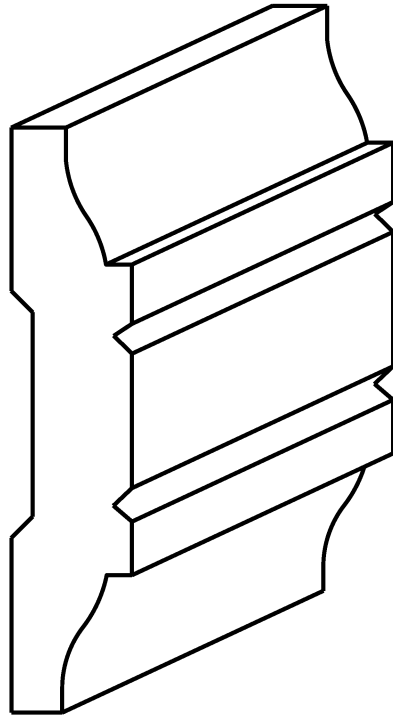
PANEL CAPS



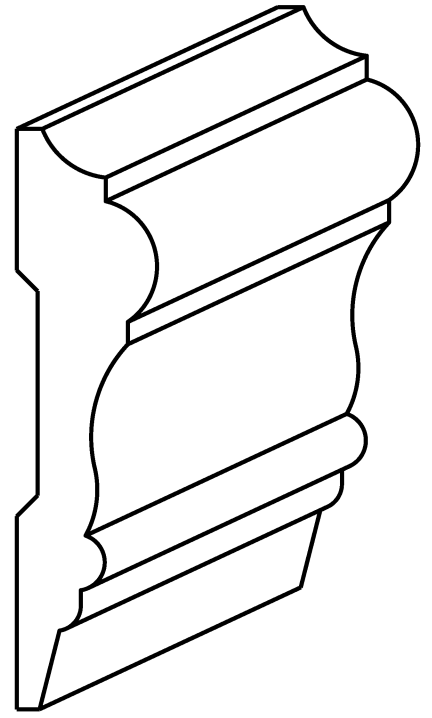
CHAIR RAIL



1/2 X 2-1/4
(P),(O),(A),(M)

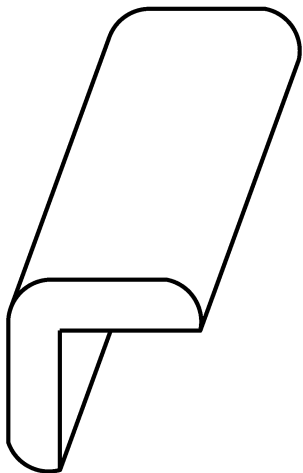


5/8 X 3
Poplar Only



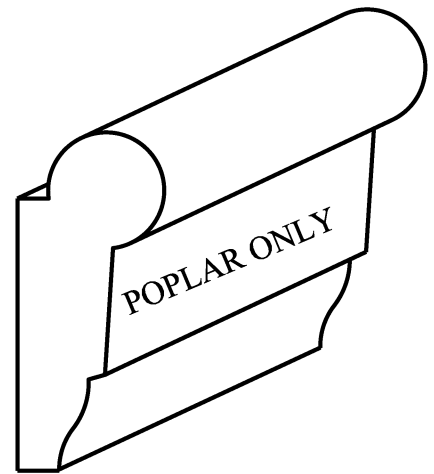
11/16 X 3
(P),(O),(A),(M)

CORNER GUARD



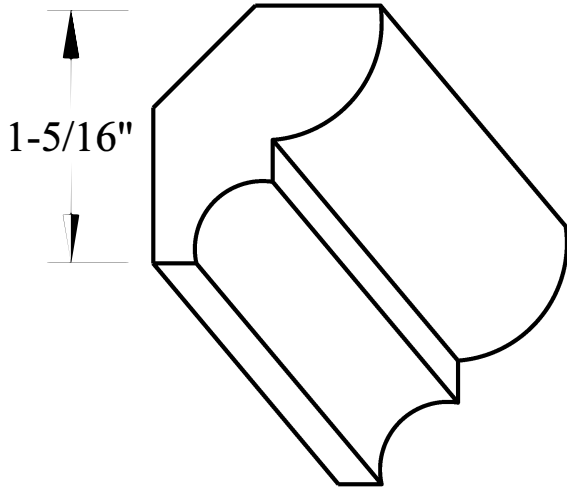
1 X 1
(P),(O),(A),(M)

PICTURE HANGER

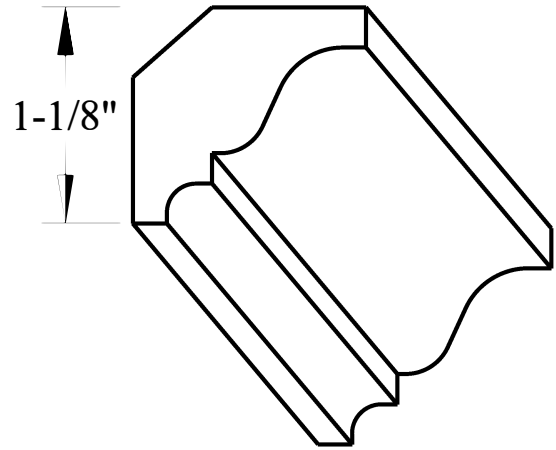


3/4 X 1-3/4

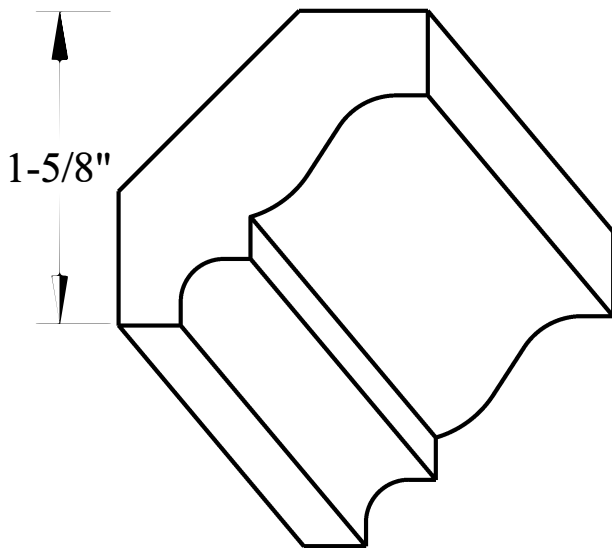
CROWN



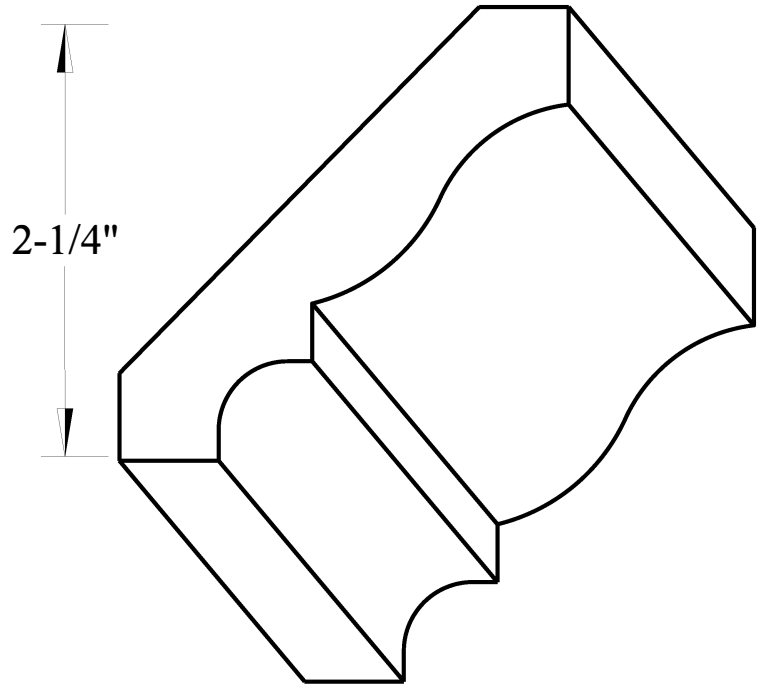
BED MOULD
11/16 X 1-3/4
(P),(O)



11/16 X 1-5/8
(P),(O),(A)

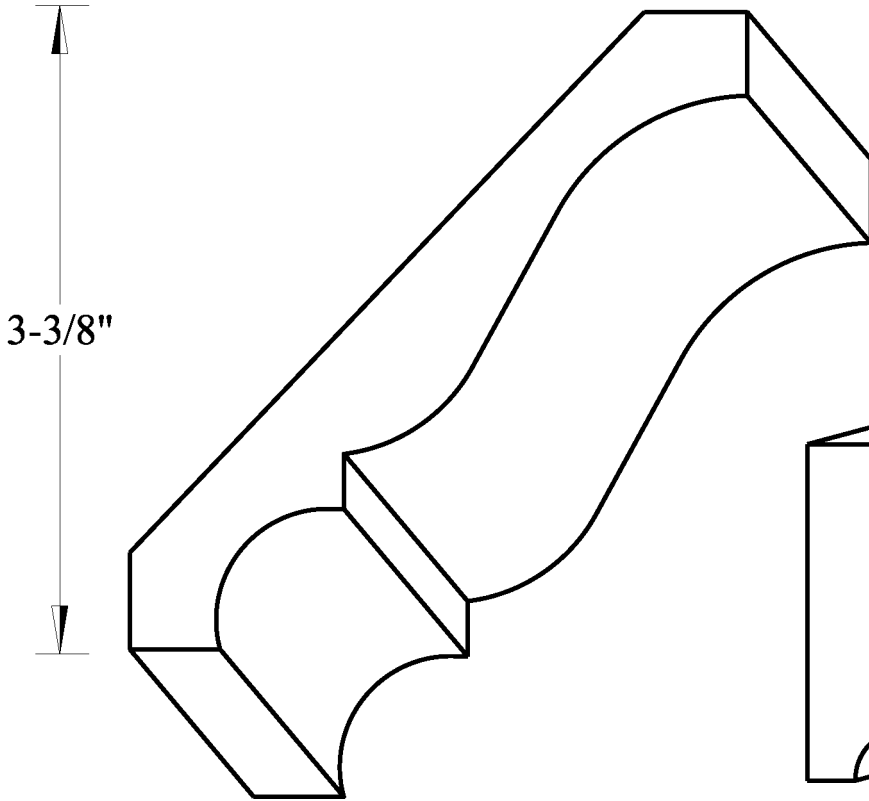


11/16 X 2-1/4
(P),(O),(A),(M)

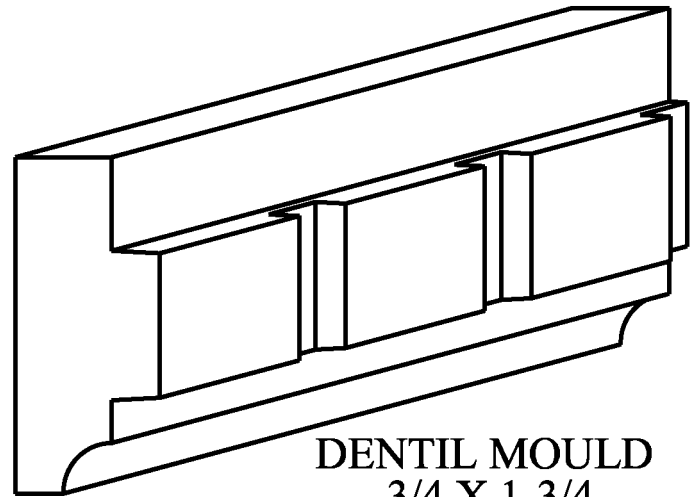


11/16 X 3-1/4
(P),(O),(A),(M)

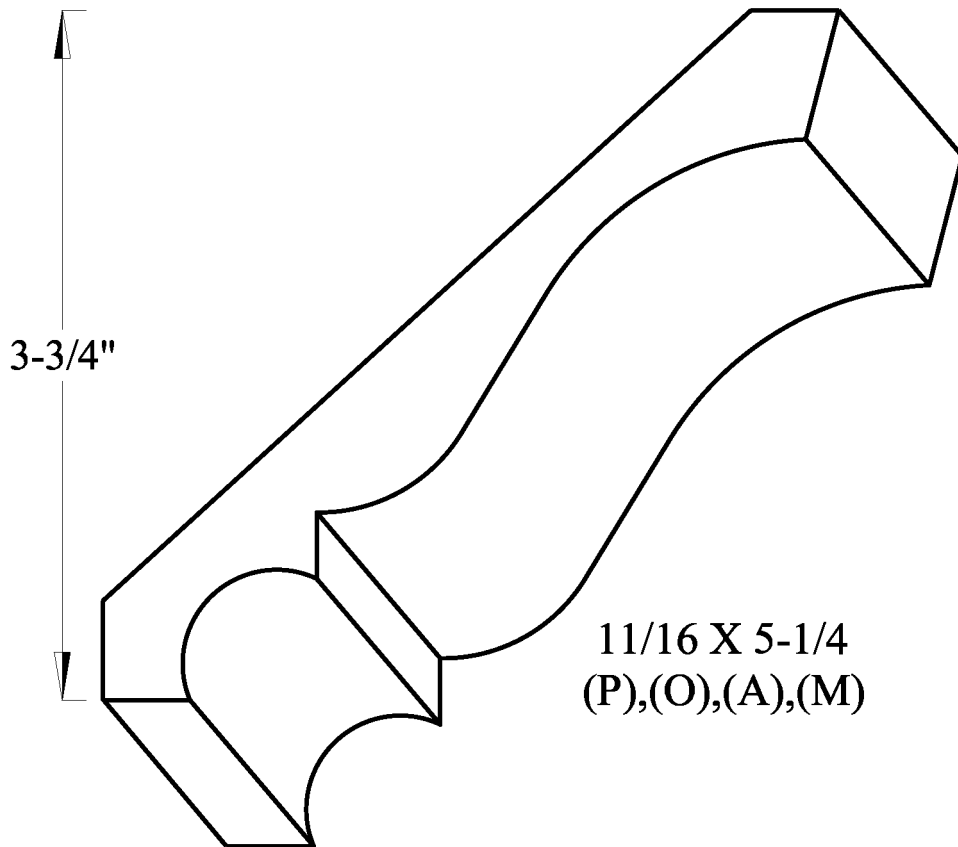
CROWN



11/16 X 4-5/8
(P),(O),(A),(M)

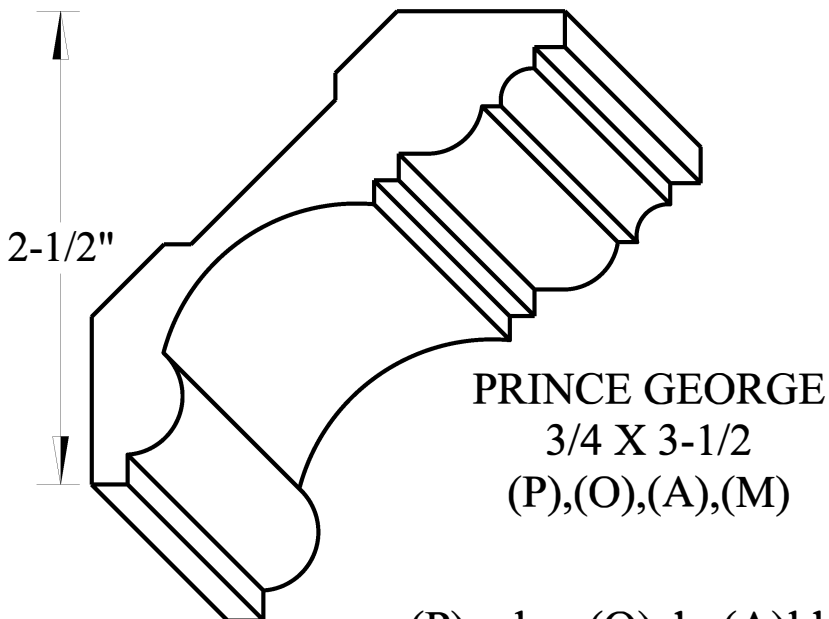
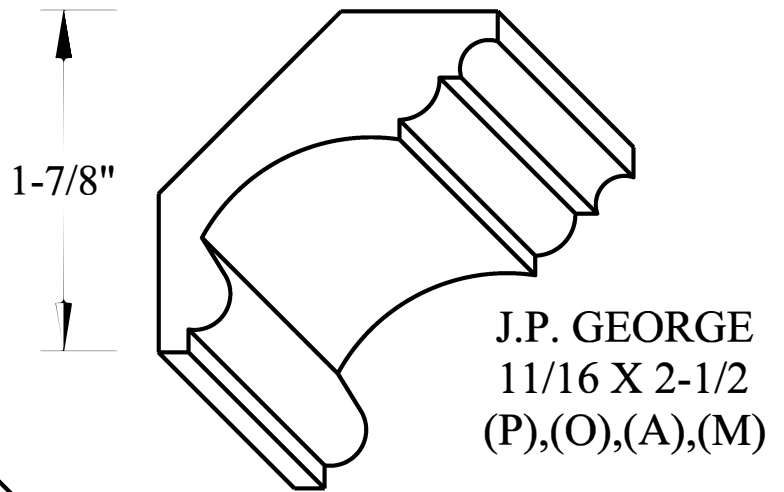
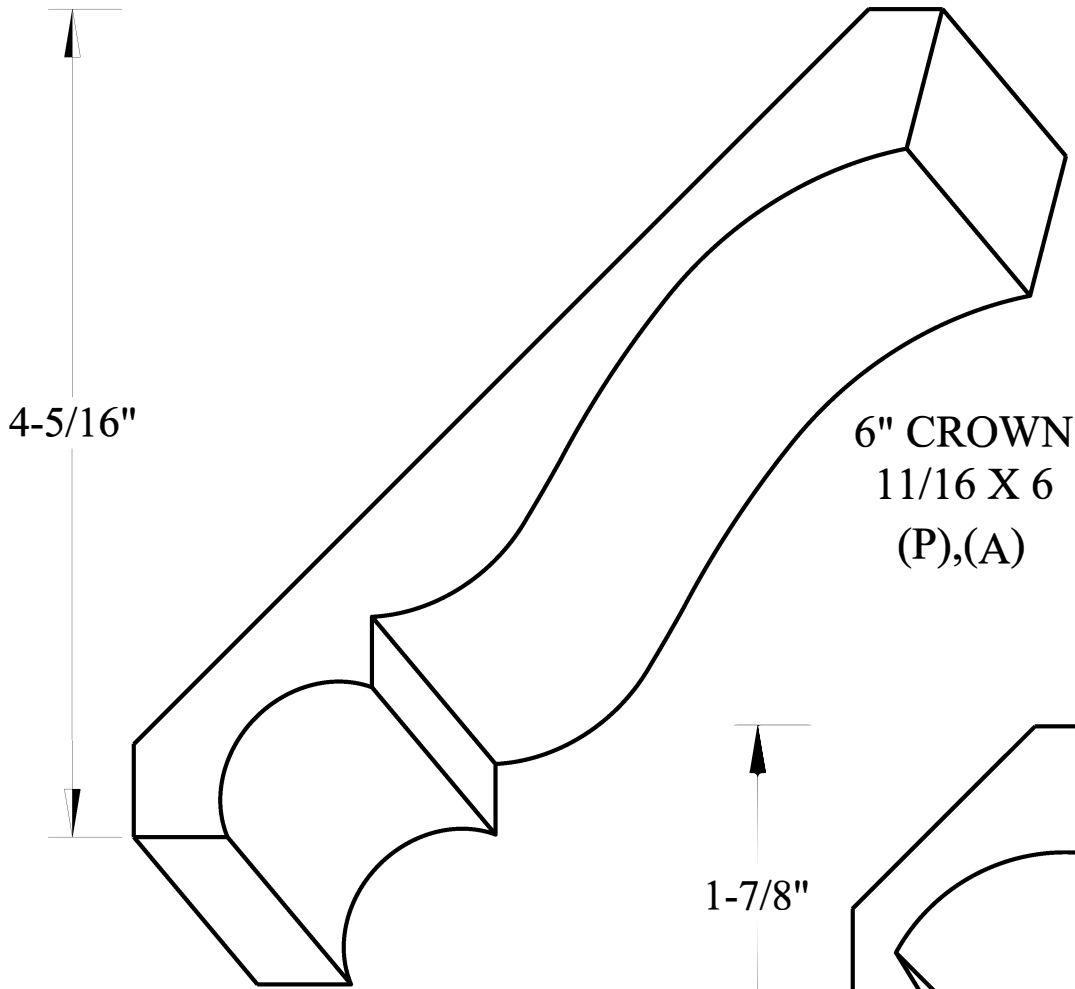


DENTIL MOULD
3/4 X 1-3/4
(P),(O),(A),(M)

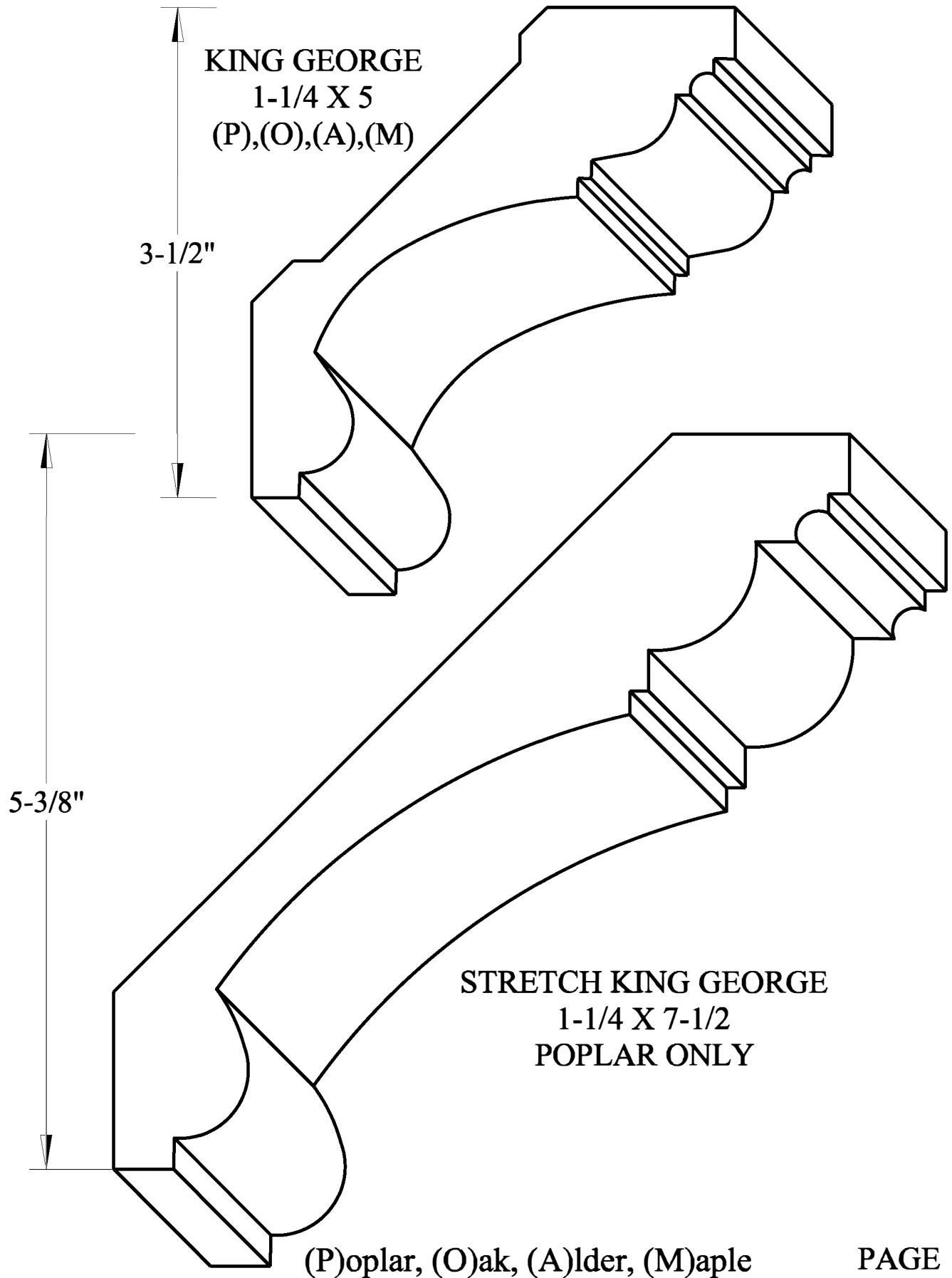


11/16 X 5-1/4
(P),(O),(A),(M)

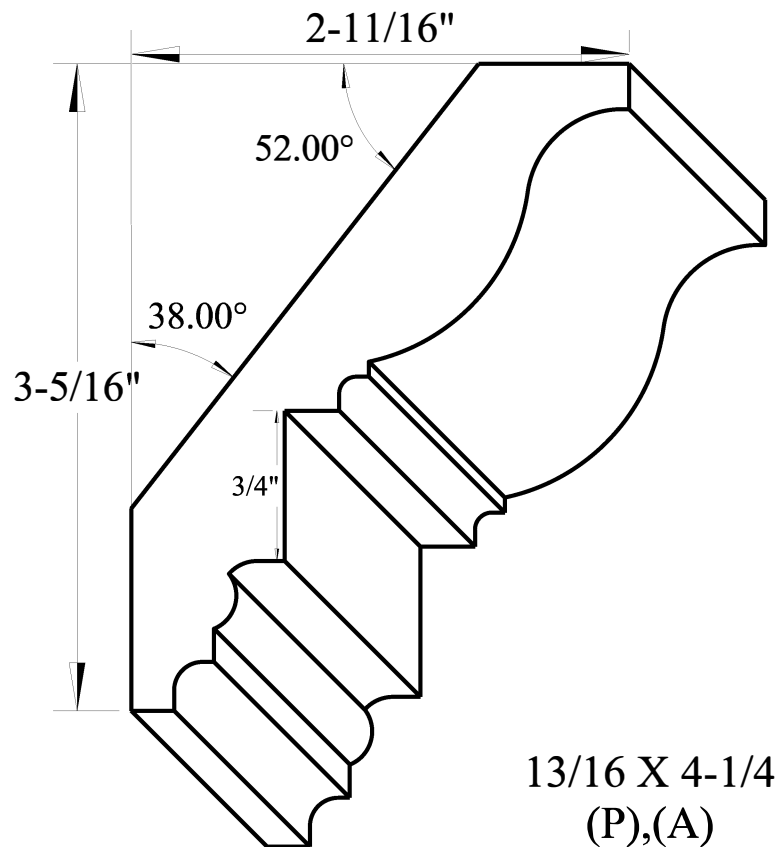
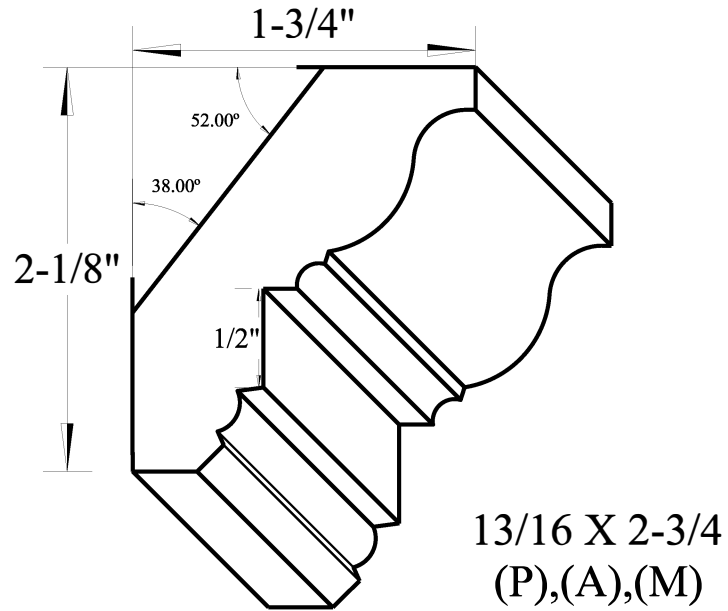
CROWN



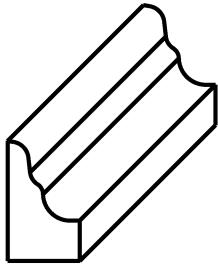
CROWN



REGENCY CROWN

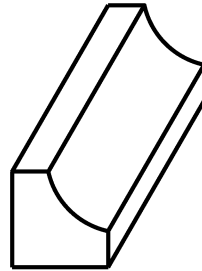


GLASS BEAD

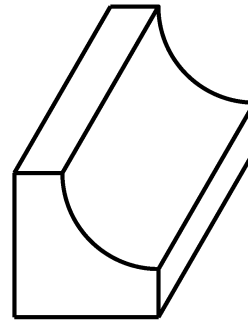


3/8 X 5/8
Poplar Only

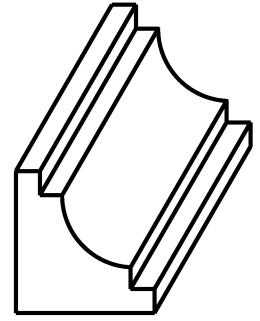
COVES



1/2 X 1/2
Poplar Only

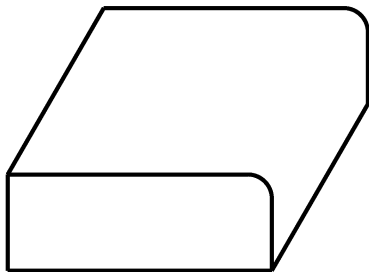


3/4 X 3/4
(P),(O),(A)



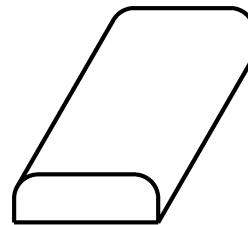
COLONIAL COVE
3/4 X 3/4
Poplar Only

DOOR STOP

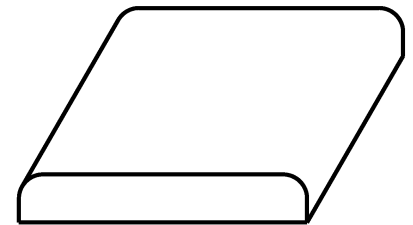


R.E. STOP
1/2 X 1-3/8
(P),(O),(A)

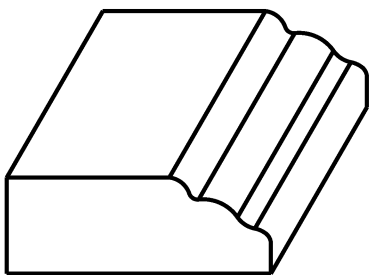
SCREEN



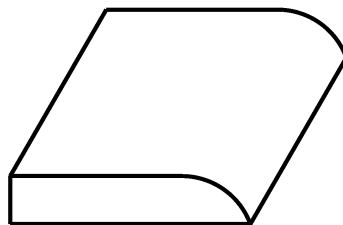
FLAT
1/4 X 3/4
(P),(O),(A)



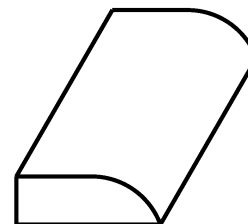
FLAT
1/4 X 1-1/2
(P),(O)



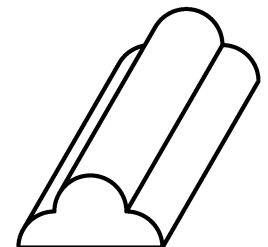
P.G. STOP
1/2 X 1-3/8
(POPLAR ONLY)



SCRIBE
1/4 X 1-1/4
(P),(O),(A),(M)

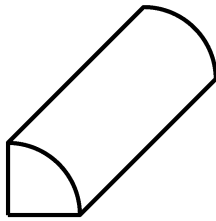


SCRIBE
1/4 X 3/4
(P),(O),(A),(M)

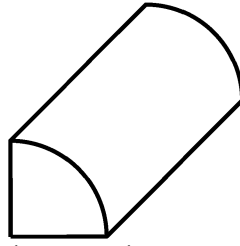


CLOVERLEAF
3/8 X 3/4
(P),(O),(A)

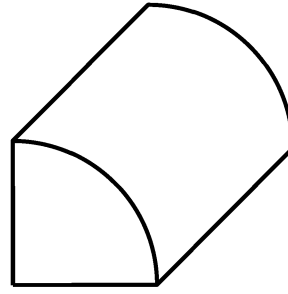
QUARTER ROUND



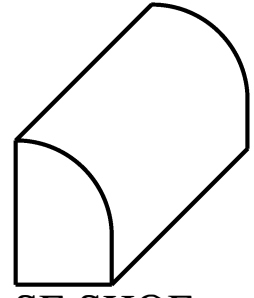
3/8 X 3/8
Poplar Only



1/2 X 1/2
(P),(O),(A),(M)

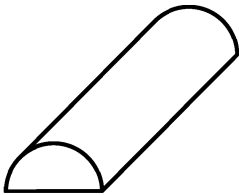


3/4 X 3/4
(P),(O),(A)

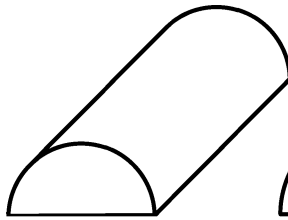


BASE SHOE
1/2 X 3/4
(P),(O),(A),(M)

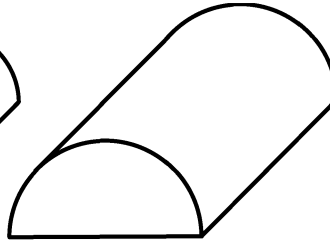
HALF ROUND



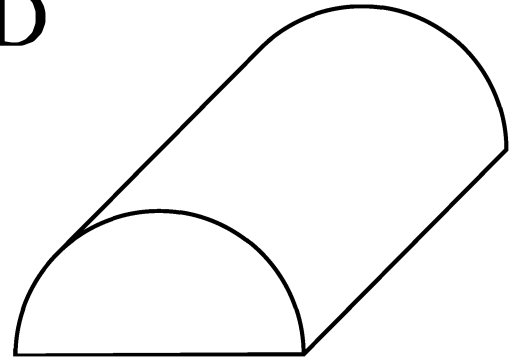
1/4 X 1/2
Poplar Only



3/8 X 3/4
(P),(O),(A)



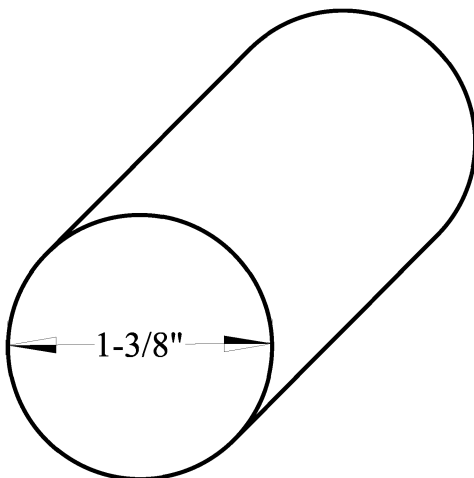
1/2 X 1
(P),(O),(A)



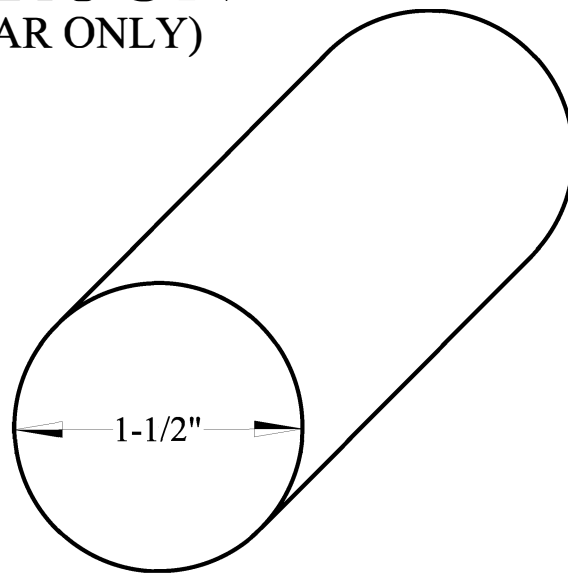
3/4 X 1-1/2
(P),(O),(A)

FULL ROUND

(POPLAR ONLY)



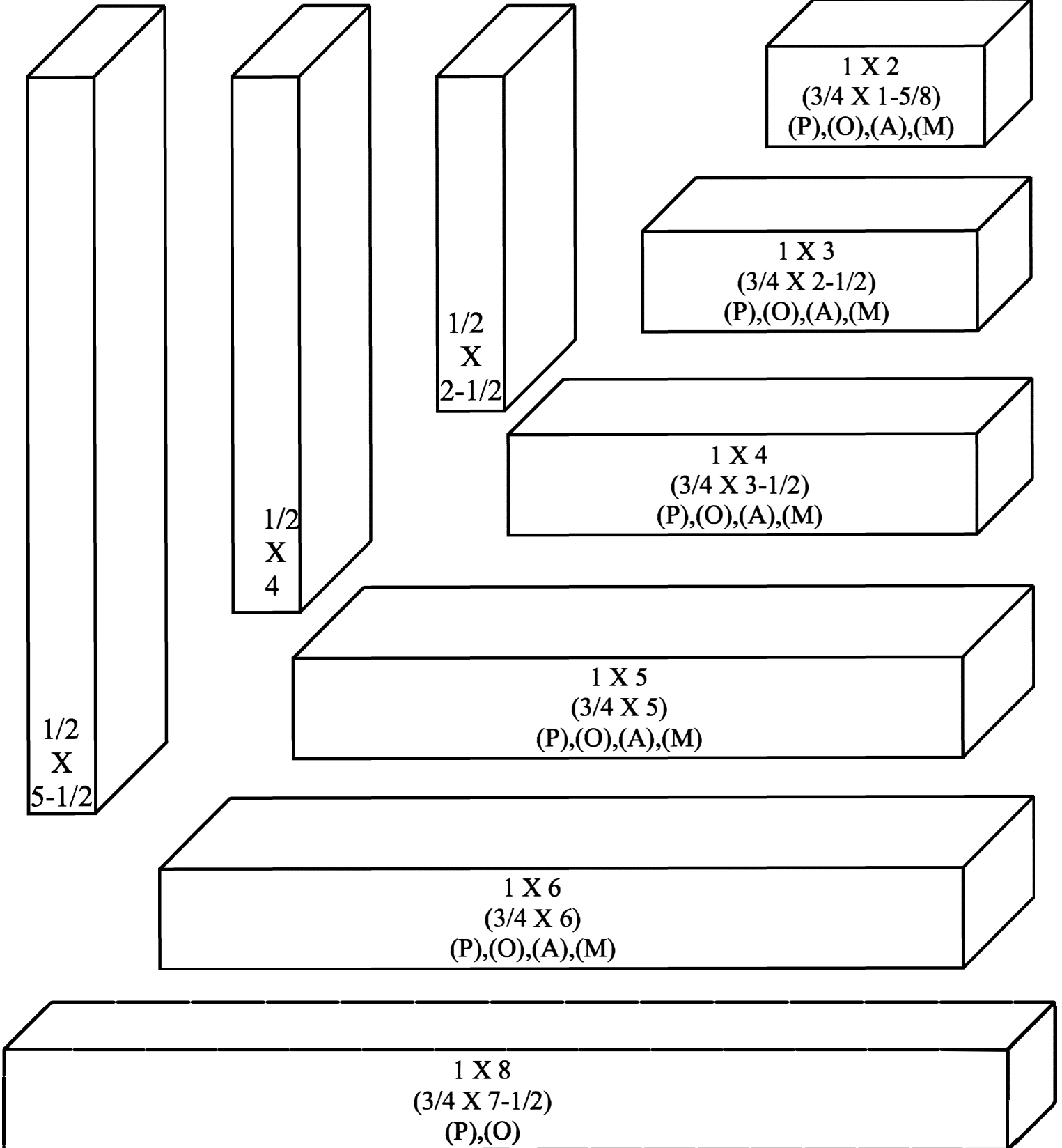
1-3/8"



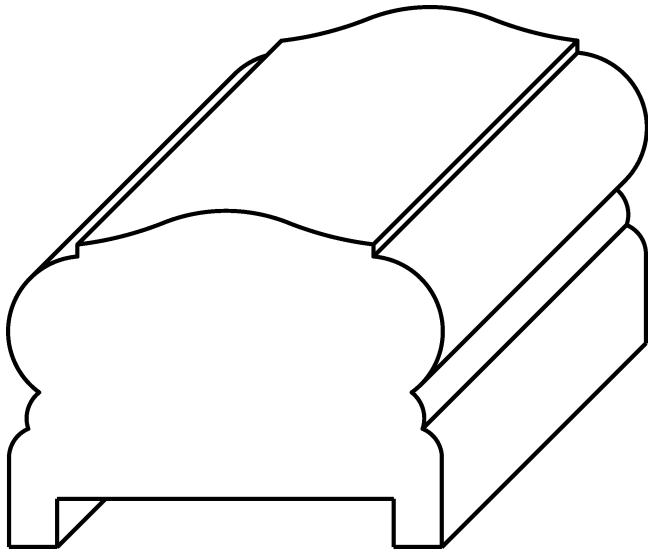
1-1/2"

S4S

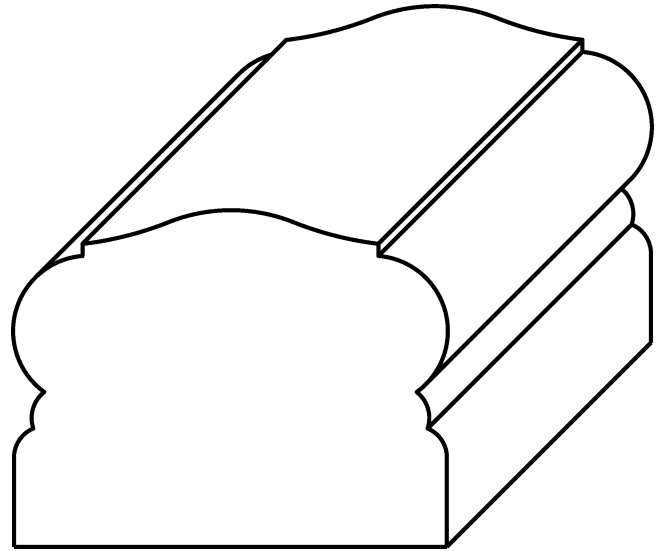
1/2" S4S POPLAR ONLY



HAND RAILS

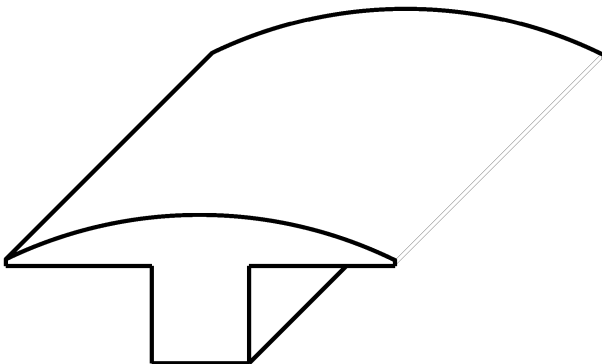


RT2250P
1-3/4 X 2-1/4
Oak Only

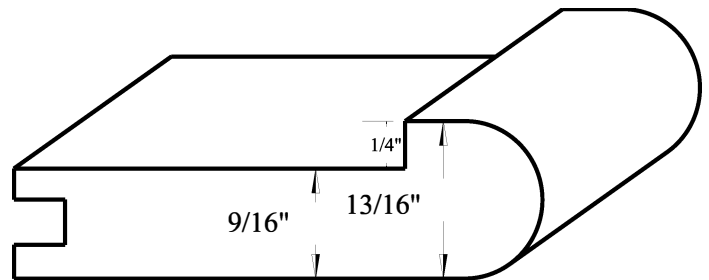


RT2250
1-3/4 X 2-1/4
(O),(P)

FLOORING T-MOULDING

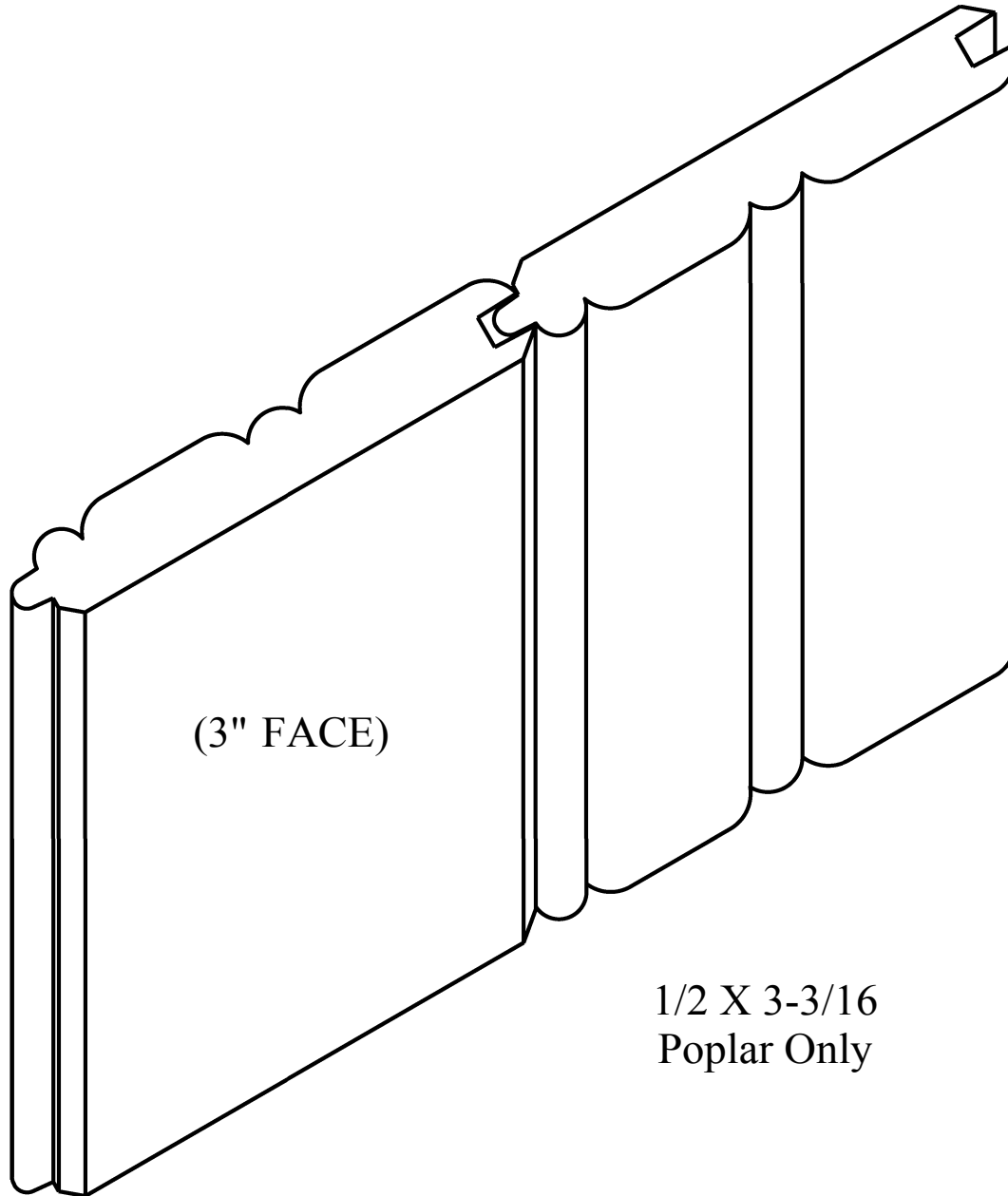


3/4X2
(O),(M)

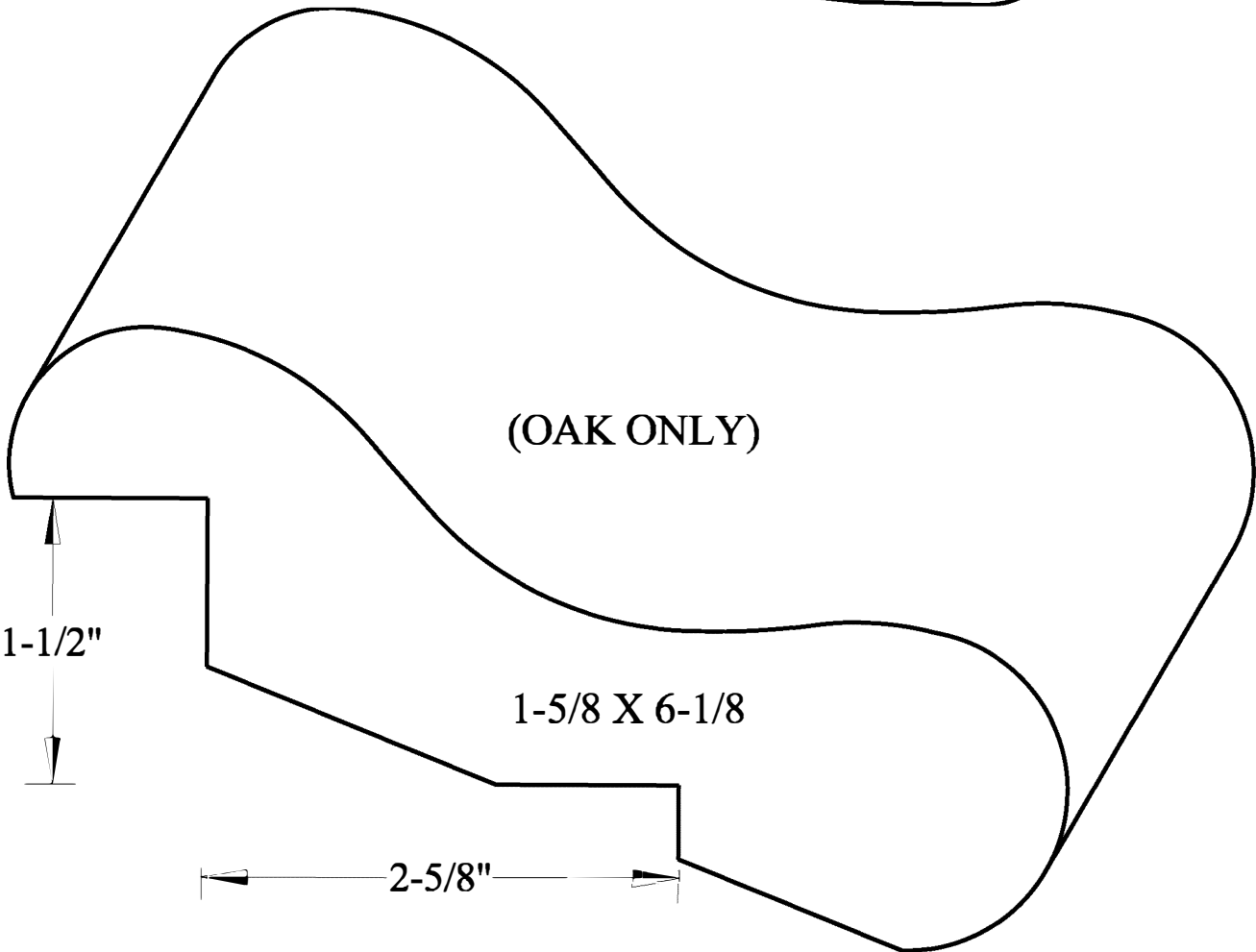
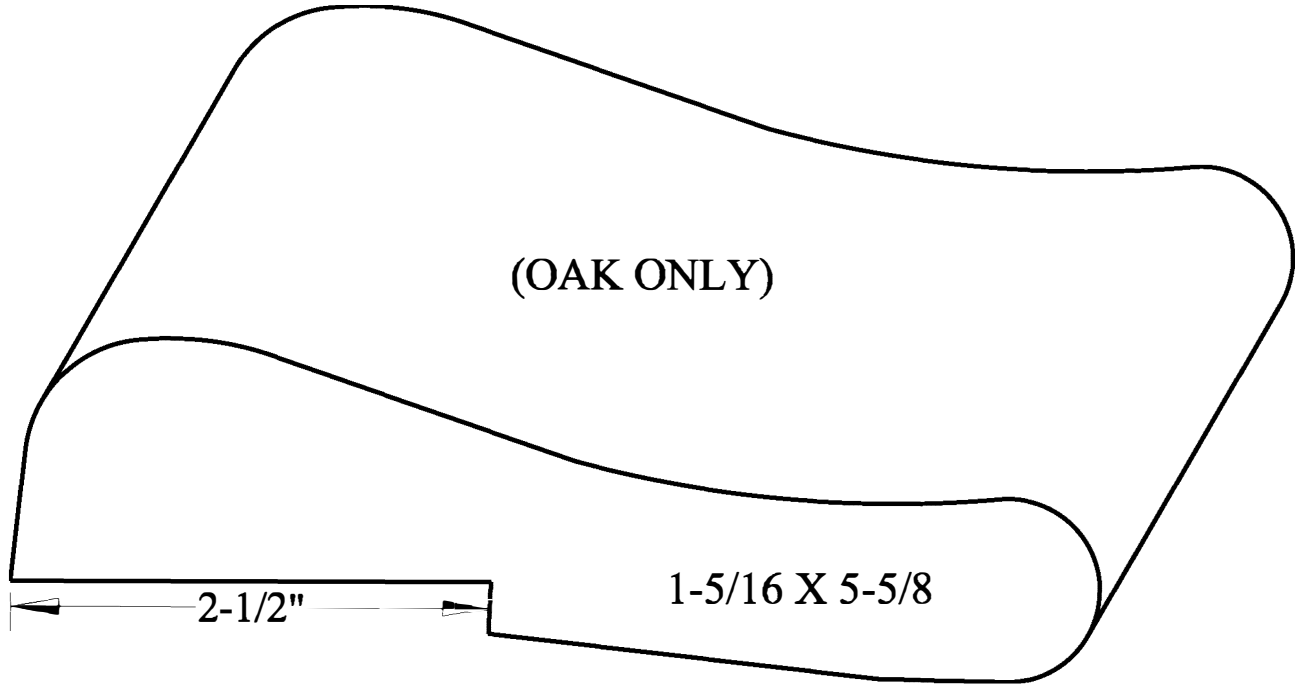


STAIR NOSE
13/16 X 2 3/4
(O),(M)

T&G REVERSIBLE PANELING



BAR RAIL



When Quality Counts



www.saguaromoulding.com